



# T-STEP

## TELESTOPIC MULTI-POSITIONING STAY

2020 CATALOGUE

**GASFEDERN – GAS SPRING – MOLLA A GAS**



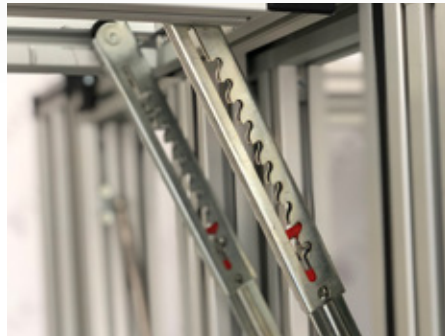
Discover  
the potential

UNICERT  
ISO 9001:2015



# DISCOVER T-STEP

## TELESCOPIC MULTI-POSITIONING STAY



T-STEP is a user friendly, easy to use telescopic positioning stay. TGS offers this stays in three versions (5 step, 6 step, 10 step) which presents to operate up to 135 KG applications. In order to open, extend the arm until it locks into the desired position. To close, fully extend T-STEP before returning it to the closed position.

### DEMONSTRATION VIDEO



Scan for watch video on youtube



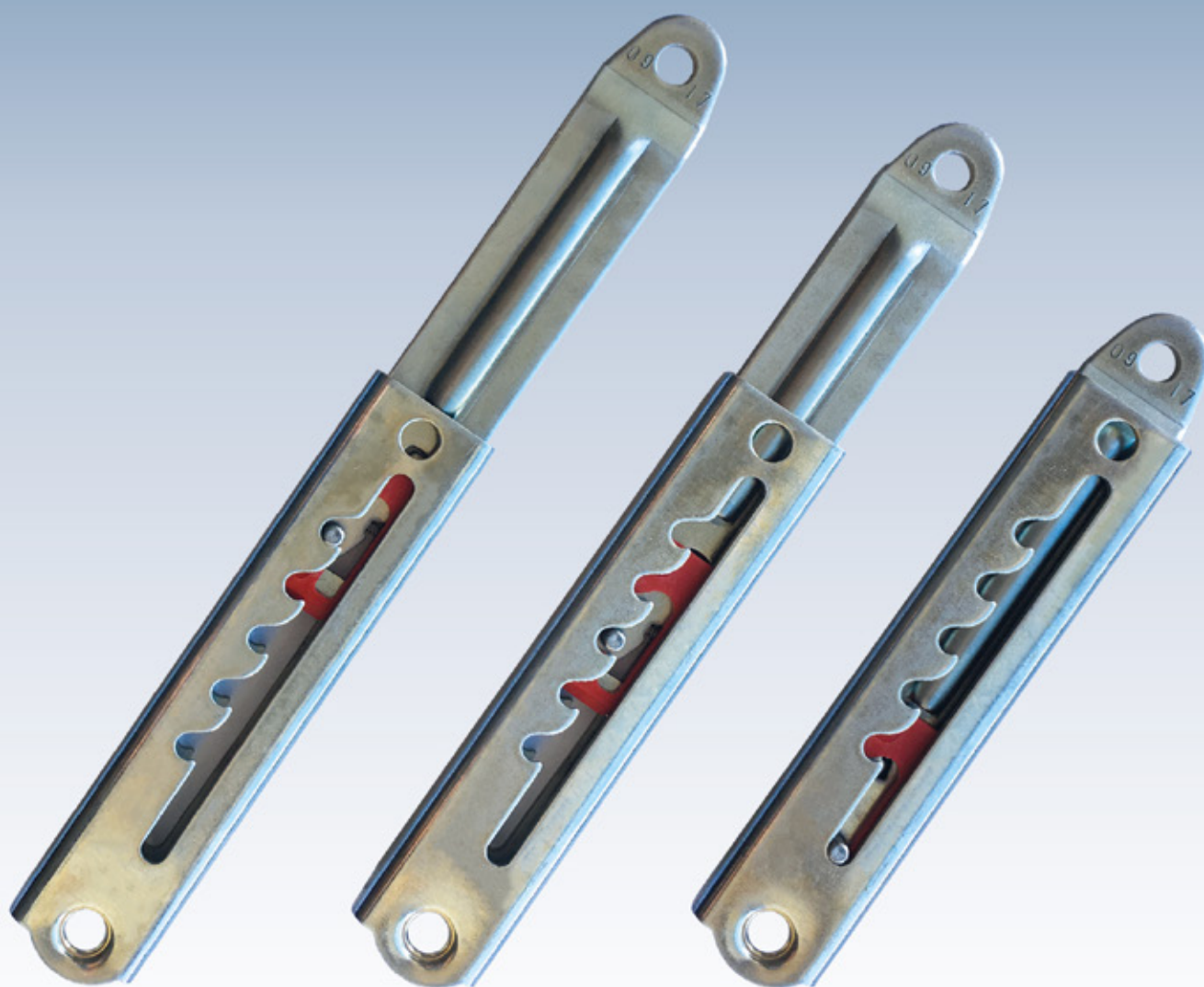
# T-STEP SERIES



# 5 STEP

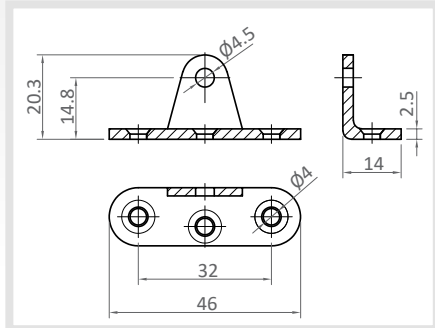
## MULTI-POSITIONING STAY

T-STEP is a user friendly, easy to use telescopic positioning stay. In order to open, extend the arm until it locks into the desired position. To close, fully extend T-STEP before returning it to the closed position.



OPTIONAL

**+MOUNTING BRACKET**  
**B12112**



**T-STEP MECHANISM**  
**TS-10.05**

**Material**

Free cutting steel DIN 1.0718

**Material Thickness**

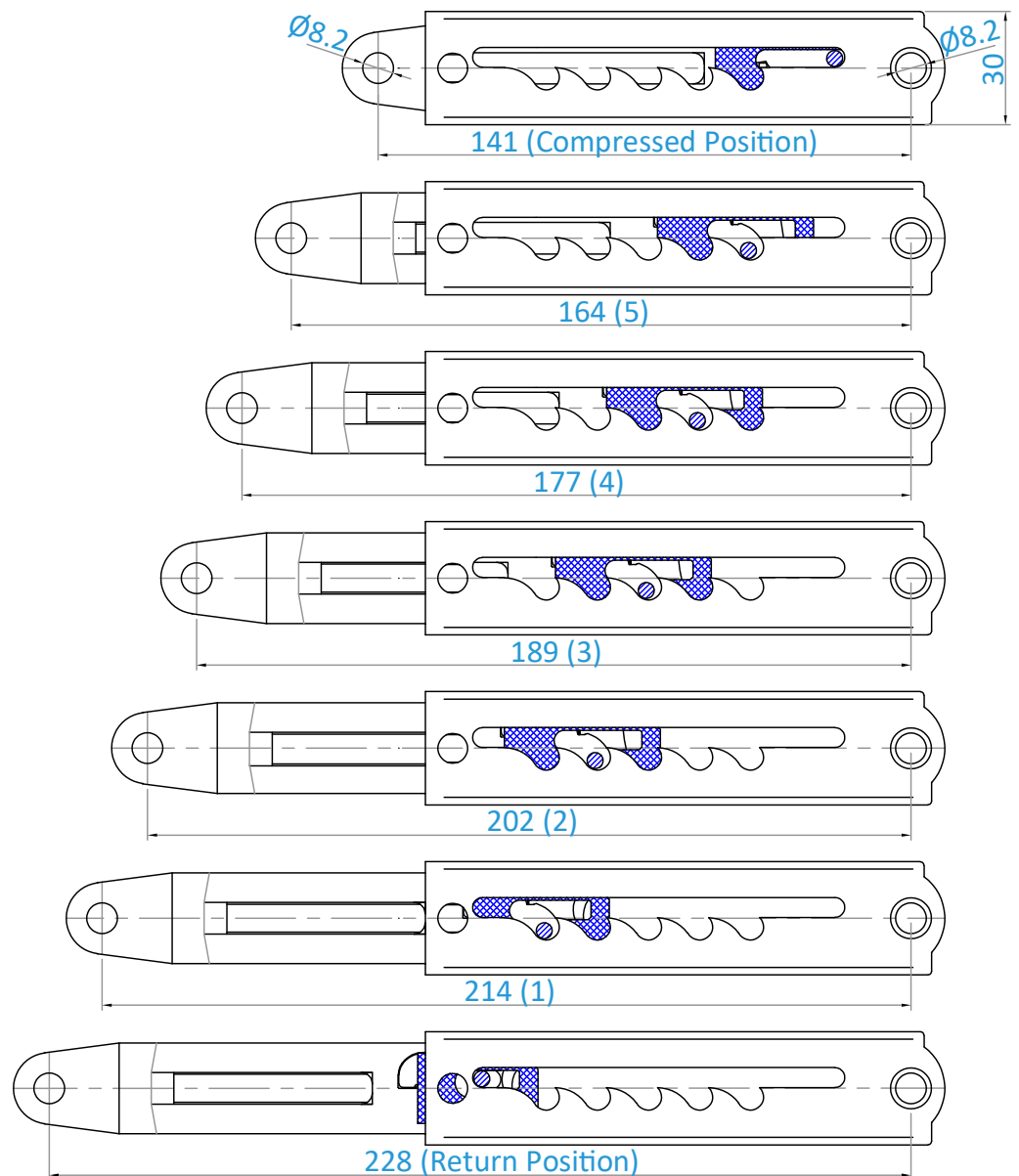
Arm: 3mm / Housing: 2mm

**Surface Treatment**

Zinc Plated

**Weight**

0.175 KG

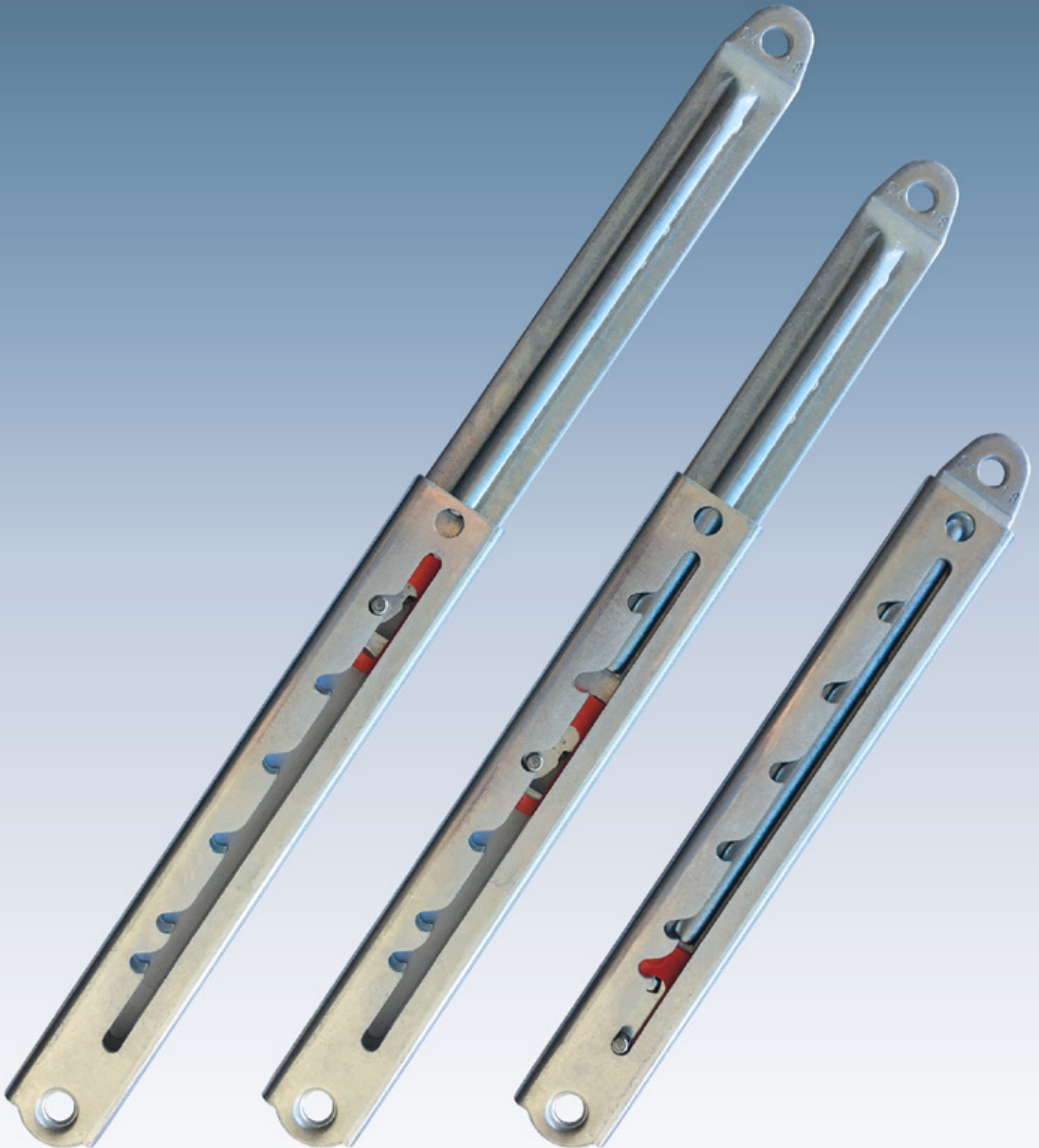




# 6 STEP

## MULTI-POSITIONING STAY

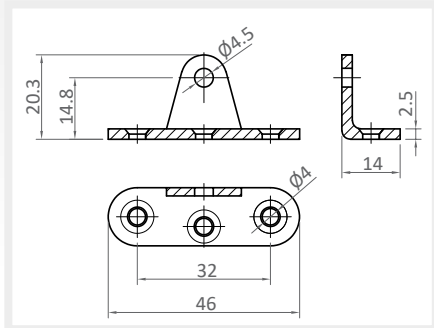
T-STEP is a user friendly, easy to use telescopic positioning stay. In order to open, extend the arm until it locks into the desired position. To close, fully extend T-STEP before returning it to the closed position.



OPTIONAL

**+MOUNTING BRACKET**  
**B12112**

**T-STEP MECHANISM**  
**TS-10.06**



**Material**

Free cutting steel DIN 1.0718

**Material Thickness**

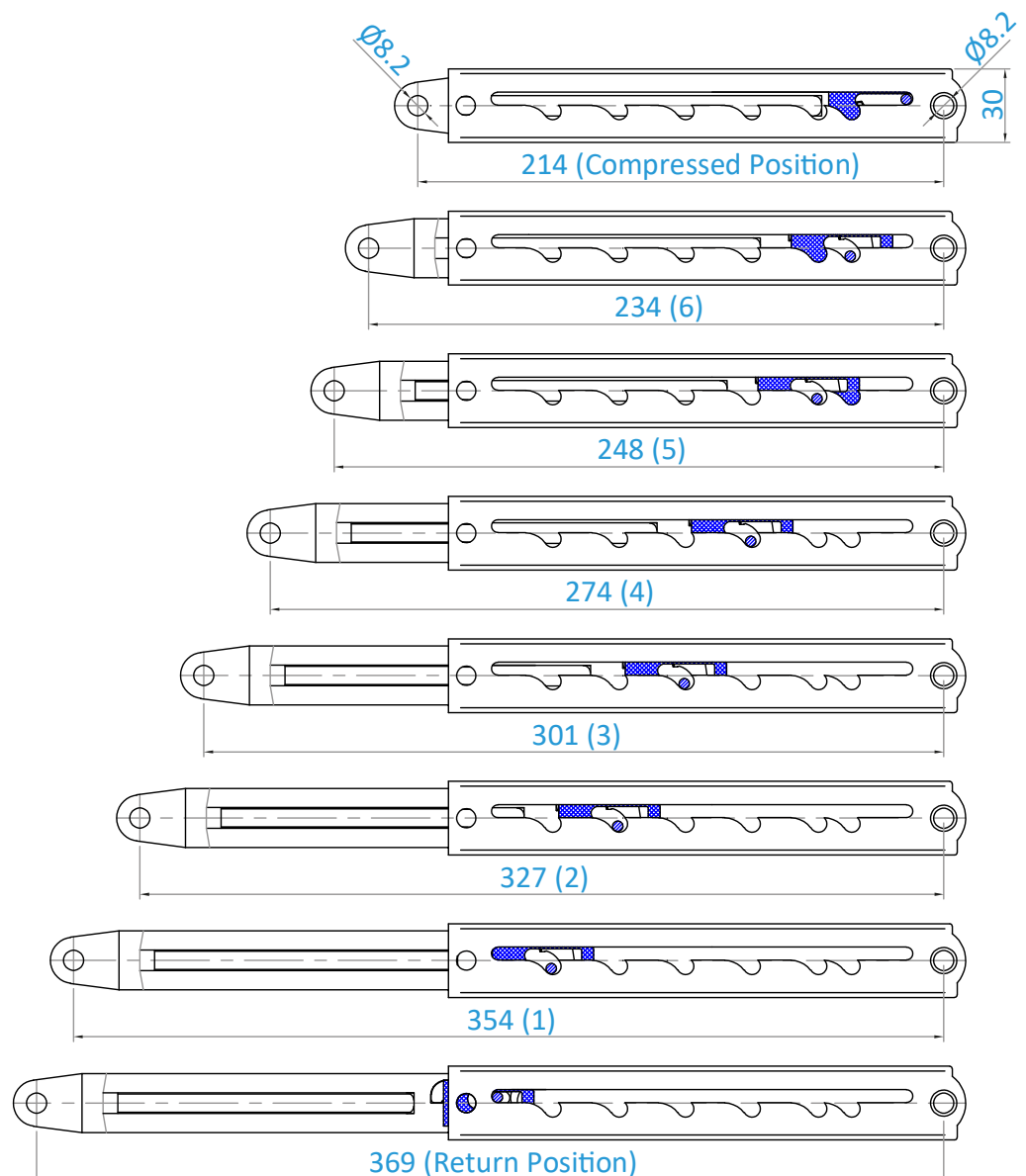
Arm: 3mm / Housing: 2mm

**Surface Treatment**

Zinc Plated

**Weight**

0.260 KG



# 10 STEP

## MULTI-POSITIONING STAY

T-STEP is a user friendly, easy to use telescopic positioning stay. In order to open, extend the arm until it locks into the desired position. To close, fully extend T-STEP before returning it to the closed position.





# T-STEP MECHANISM

## TS-10.10

**Material**

Free cutting steel DIN 1.0718

**Material Thickness**

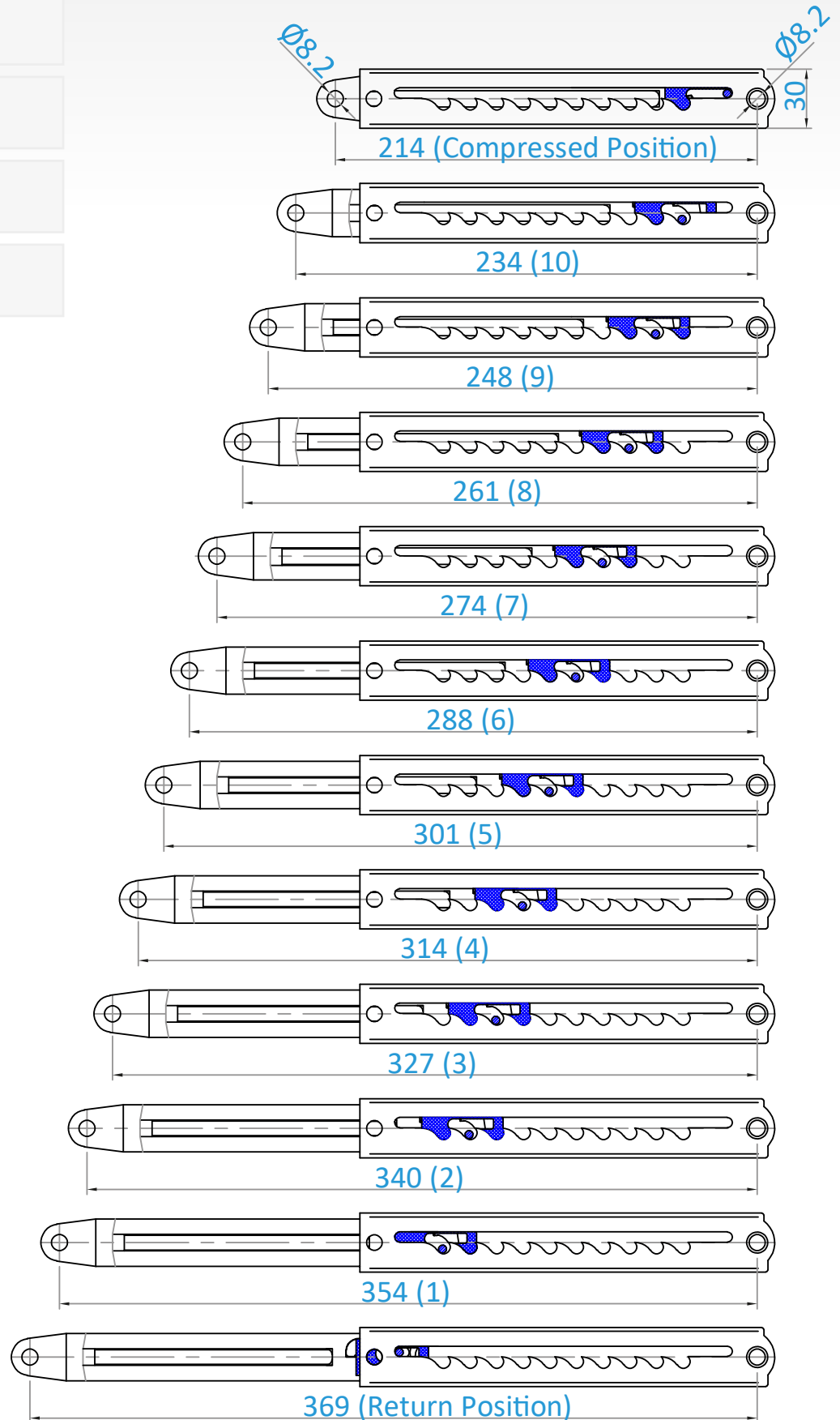
Arm: 3mm / Housing: 2mm

**Surface Treatment**

Zinc Plated

**Weight**

0.285 KG





*"Feel Safe!"*  
www.tunalift.com



Bursa, Turkey



+90 224 211 44 73



info@tunalift.com



www.tunalift.com